

CGI-50™

GPS Synchronized Current Interrupter

ENERGY & MINING

Description

The Corpro CGI-50 is a portable handheld GPS interrupter designed to exceed industry requirements for a compact robust interrupter. This is achieved by utilizing a neoprene thermoplastic gasket within a compact plastic enclosure. The CGI-50 combines advanced microprocessor/semiconductor technology and quality components to achieve a small footprint for the Cathodic Protection Industry.

All information is displayed on a rugged Vacuum Fluorescent Display which outperforms any LCD display for operating temperature extremes. The VFD display shows the operating mode, on/off times, GPS antenna status, daylight savings time status, start on/off times/status, and the current local time. The CGI-50 display also shows a unique countdown timer so that the operator is fully aware of where the CGI-50 is within the timing cycle.

All programming is done via the integrated keyboard or a secure Bluetooth connection from just about any Bluetooth enabled PC (USB Bluetooth dongle also available) and the included software. Utilizing the wireless connection the CGI-50 can be installed anywhere within the rectifier in any orientation by utilizing the unique magnetic mounting feet and allows the parameters to be altered without re-opening the rectifier enclosure.

The CGI-50 has no internal batteries to worry about replacing/charging, the CGI-50 is powered from the rectifier output or the AC secondary taps from the rectifier (16 to 35 volts AC/DC), also the CGI-50 can be powered from the included wall adapter allowing the CGI-50 to be powered from any 120VAC plug. The CGI-50 is designed to interrupt AC/DC currents via an external relay module that connects directly to the switched 12 volt output of the CGI-50.

There are 3 modes of operation; GPS synchronized, AC line synchronized for WFA/CIS/timed modes and a non-synchronized timed mode utilizing an on-board crystal oscillator. When using the CGI-50 in a non-GPS synchronized mode of operation, the interruption cycle will start immediately regardless of the programmed start/stop times and will interrupt continuously, this allows the CGI-50 to act as a standard interrupter; however when the GPS antenna is connected and a valid time has been acquired the CGI-50 will obey the programmed start/stop times.



Features

- Robust compact plastic enclosure
- Robust VFD display
- Fully solid state
- Switched 12 volt external relay output
- Externally powered from 16-35 volts (AC/DC)
- Bluetooth communications
- Unique magnetic mounting base allows the unit to be mounted in just about any location/orientation
- 3-modes of operation (GPS/AC-line/non-sync)
- Operating ambient: -40 to +55°C (-40 to 131°F)
- External relay on/off compensation
- User programmable on/off times (0.1 to 500.0 seconds)

(continued on back)

corpro®
An Aegion® Company

Enclosure Dimensions



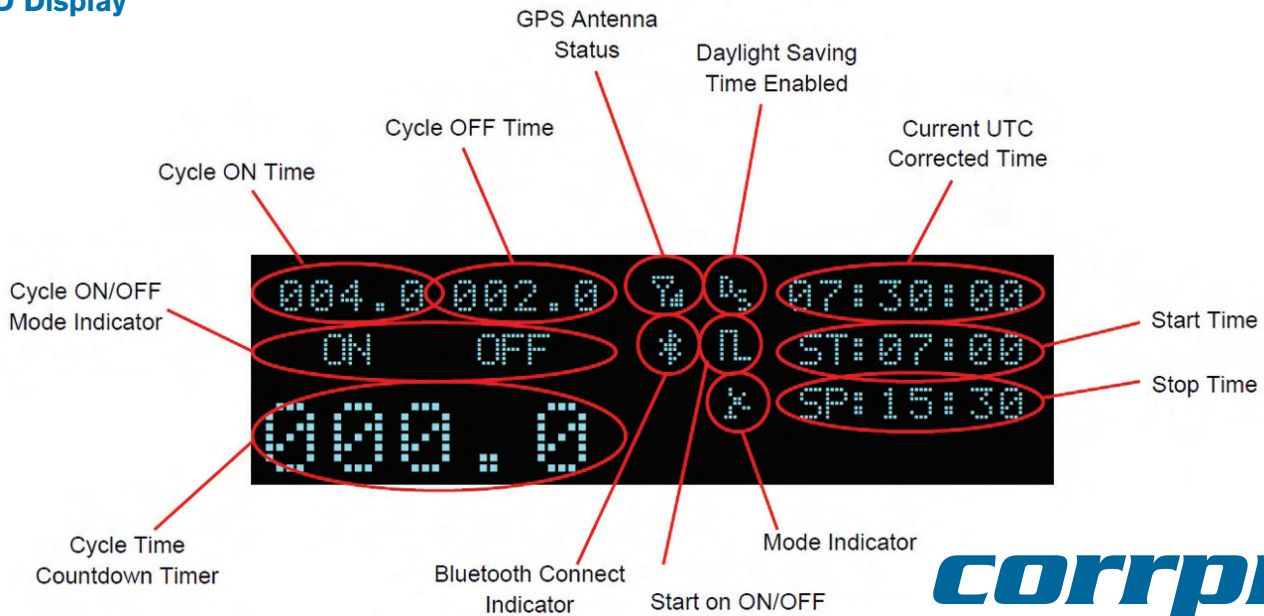
FRONT VIEW



RIGHT SIDE VIEW

Weight: Approximately 0.6 kg (1.3 pounds)

VFD Display



corrpro®

An Aegion™ Company

Corrpro Companies, Inc.

800.443.3516 United States
 800.661.8390 Canada
 44.1642.614106 Europe
 966.3.808.9637 Middle East

www.corrpro.com